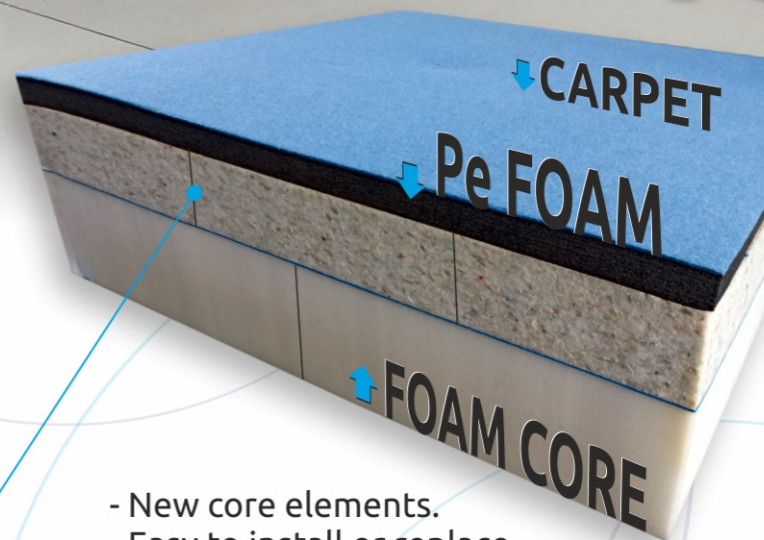


# BOULDERMAT

PE FOAM with CARPET COVER



### Characteristics:

- Top cover made of carpet and PE foam.
- Excellent finishing of edges and corners.
- Surface that is always flat.

### Available versions:

- Thickness: 30cm or other on request
- Dimensions: according to clients enquiry

### Available as:

- New core elements.
- Easy to install or replace.
- No glue needed.



# BOULDERMAT

PE FOAM with CARPET COVER

BY

**Polstek**  
PROTECHMAT

2m wide rolls of carpet with PE easy to unfold.

Four colours of the carpet to choose:

RAL 7038

RAL 5012

RAL 7043

RAL 7031

Since 2012 we have installed over 180 mats with a total area of over 49 000sqm.

## PRODUCT SHEET

**Product code:** MAC PE v 2023 – Safety mat for boulder walls

**Type of mat:** Safety mat with PE foam with carpet on top.

General characteristics of the construction and installation of the mat:

1. Flaps made of PVC material to be mounted on the wall or screw directly to the floor. ①
2. Corner flaps made of same carpet as top covering mounted to PVC. ②
3. Mat core consists of PU foam with average density of 18 kg/m<sup>3</sup> and RG foam with a average of 100 kg/m<sup>3</sup>. ③ Mat consists of two layers (bottom and top) joined together with hook and loop tape in a DIY system (glue is not required).
4. Entry area: harder foam, RG 140 kg/m<sup>3</sup> for easier and stable entry onto the mat ④
5. Bottom corner flap made of the same carpet as the top covering. Mounted to the front of the mat (made same as top covering of the mat) screw directly to the floor.⑤
6. Top covering: Made of PE foam with carpet on top. Delivered in 2m wide rolls  
Thickness: 45 mm (+/- 2mm).⑥

Colours of carpet:

Light grey - approx to RAL 7038

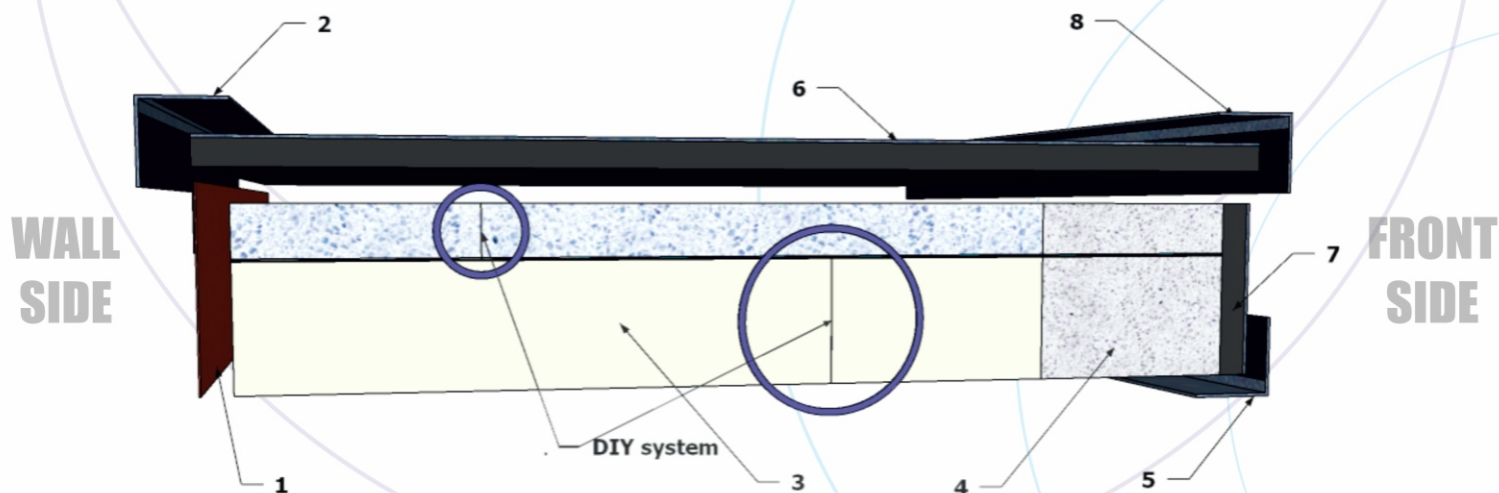
Dark grey - approx. to RAL 7043

Light blue - approx to RAL: 5012

Blue grey – approx to RAL 7031

Rolls are connected together by top flaps made of same carpet as top covering.

7. PE foam with carpet from top cover used in the front of the mat. ⑦
8. Corner flaps made of the same carpet as the top cover, installed to the rollers of the top cover and front of the mat. ⑧



Note:  
The wall must have space at right angle to the ground min. 3cm more than thickness of mat -to fit the mat there.

JOIN OUR FAMILY &  
**ENJOY SPORTS WITH US!**

Gymnastics:  
**Polkok**  
CHRZANÓW

Air Products:  
**Polkok**  
AIR

Martial Arts:  
**Polkok**  
FIGHT

Bouldering:  
**Polkok**  
PROTECHMAT

phone +48 32 642 37 47  
mobile +48 509 244 745

polskok@polskok.com.pl  
www.polskok.com.pl